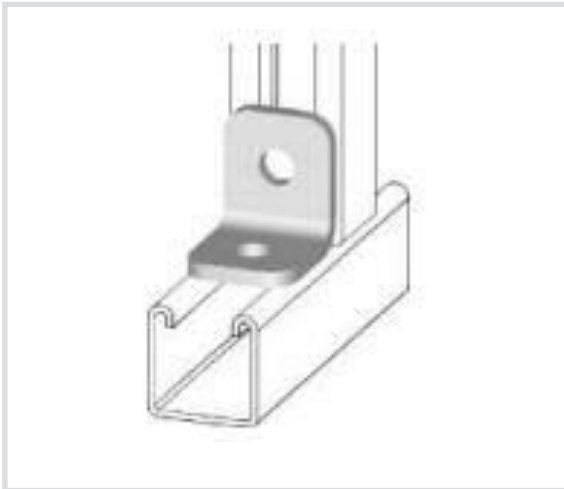


Art. 8600 90° angle brackets with two holes



Technical specifications and advantages

- Made with S235JR steel
- Hot-dip galvanised



Code	Dimensions [mm]	Thickness S [mm]	Diameter of holes [mm]
8600049	49x49	6,0	13
8600057	57x41	6,0	13

