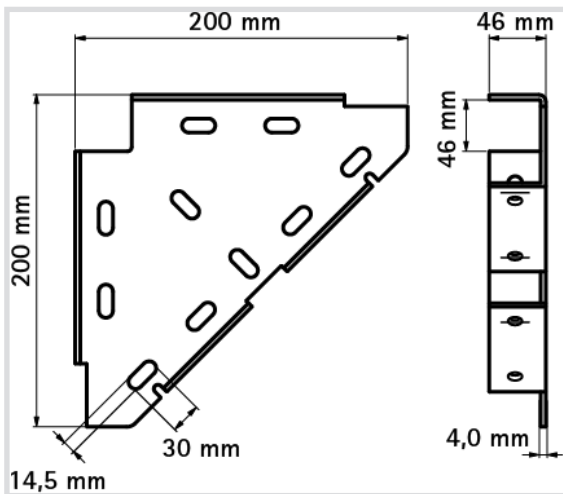


Art. 8691200 Angle bracket



Technical specifications and advantages

- Support in one piece
- To reinforce a cantilever arm by fixing it from below, above or to the side
- Material: steel, 1.0332



Code	Fixing rail	Dimensions [mm]
8691200	CorSTRUT and CH35	200x200

