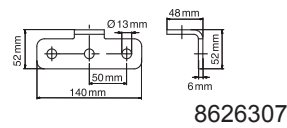
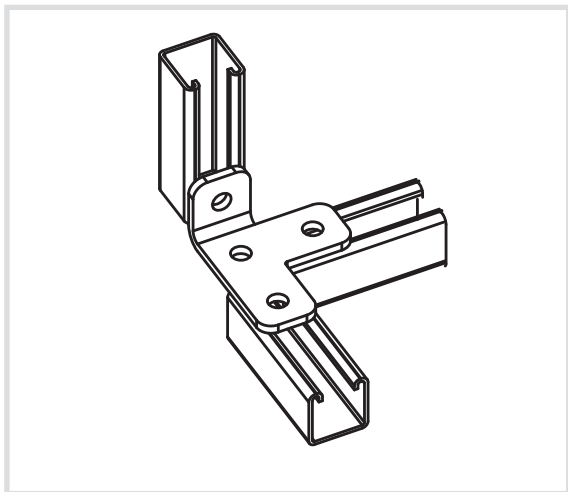
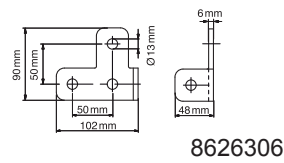


Art. 8626 Angle brackets



*Technical specifications and advantages*

- To build structures in CorSTRUT fixing rail
- Material: steel
- Hot-dip galvanized



Code	For	$\alpha$ [°]
8626300	CorSTRUT	-
8626305	CorSTRUT	90
8626306	CorSTRUT	90
8626307	CorSTRUT	90

