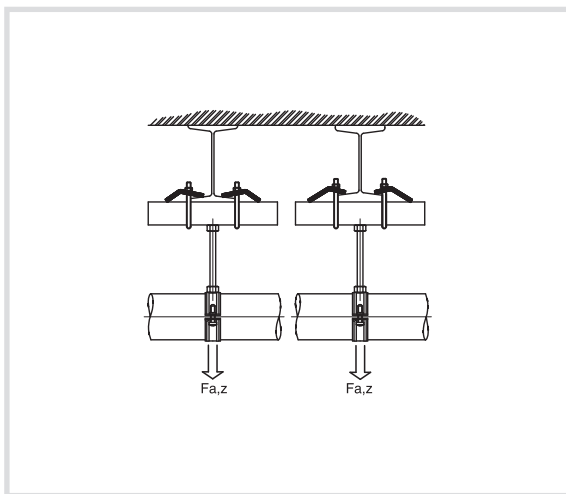


Art. 8995 Beam clamps for rails width 30 mm



Technical specifications and advantages

- Made of galvanised steel
- To connect to a steel support without welding or drilling
- Always use 2 plates to attach to a beam



Code	A [mm]	For fixing rails	Payload [N]
899505	< 16	CH0, 1, 15, 2, 30	4500

