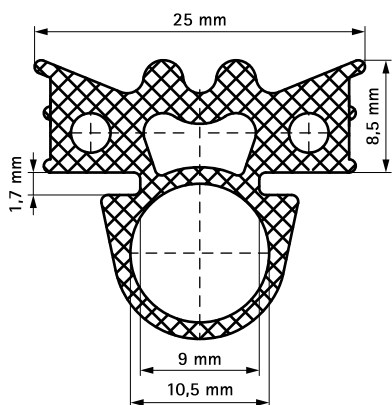
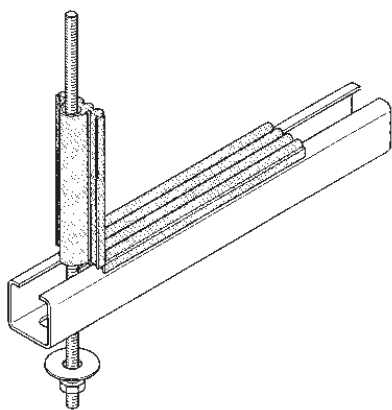
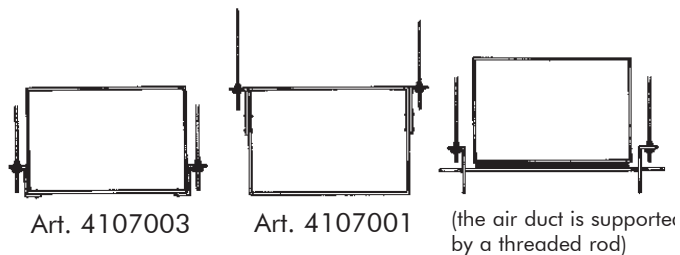


COMPONENTS FOR AIR DUCTS

APPLICATION EXAMPLES



Special rubber fixing rail for all CorRail fixing rails or threaded rod. Also for noise insulation according to DIN 4109

TEST METHOD FOR PAYLOAD

