

Art. 591 CORH HD extra heavy duty pipe clamp without rubber - 1/2"

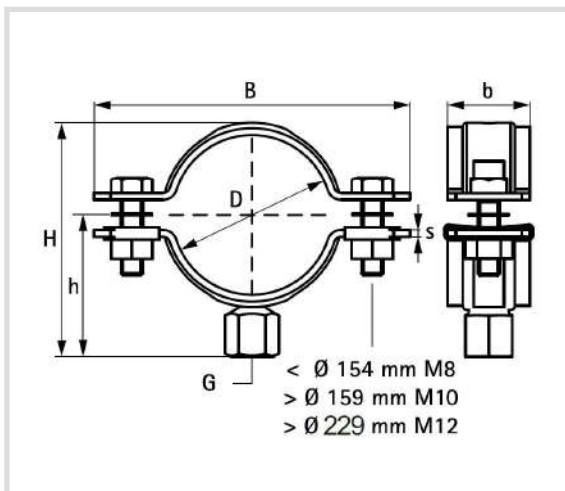


Technical specifications and advantages

- Wire-welded nut or socket
- Material: S235JR steel
- Galvanised
- Pre-assembled
- Possibility of connection with nut or socket
- Tested for fire resistance
- Washers on the screws for easy installation



BRANDEPSTE
KORBFESEIGUNG
RAL-GZ 656
Cert. No. 2011-05



Code	D [mm]	D [°]	D [DN]	G [°]	B [mm]	H [mm]	h [mm]	b x s [mm]	Fa,z [N]
5910078	74-80	2	1/2	65	136	103	59	30 x 3,0	4000
5910092	83-93	3	80	1/2	152	117	66	30 x 3,0	4000
5910106	98-106	-	-	1/2	165	131	73	30 x 3,0	4000
5910116	108-115	4	100	1/2	175	141	78	30 x 3,0	4000
5910133	125-133	-	-	1/2	193	158	87	30 x 3,0	4000
5910154	148-154	-	-	1/2	215	179	97	30 x 3,0	4000
5910169	167-173	6	150	1/2	240	195	105	40 x 4,0	8200
5910202	199-205	-	-	1/2	274	240	133	40 x 4,0	8200
5910219	208-219	-	-	1/2	290	2	134	40 x 4,0	8200
5910227	217-227	8	200	1/2	299	253	134	40 x 4,0	8200
5910254	244-254	-	-	1/2	335	280	148	40 x 4,0	8200
5910279	265-279	10	250	1/2	360	315	170	40 x 4,0	8200
5910325	316-324	12	300	1/2	403	348	183	50 x 5,0	12000
5910360	340-356	14	350	1/2	439	358	193	50 x 5,0	12000
5910408	393-409	16	400	1/2	487	433	224	50 x 5,0	12000
5910458	444-460	18	450	1/2	537	483	249	50 x 5,0	12000
5910509	497-512	20	500	1/2	588	534	275	50 x 5,0	12000

