

Art. 591 CORH HD extra heavy duty pipe clamp without rubber - 1/2"

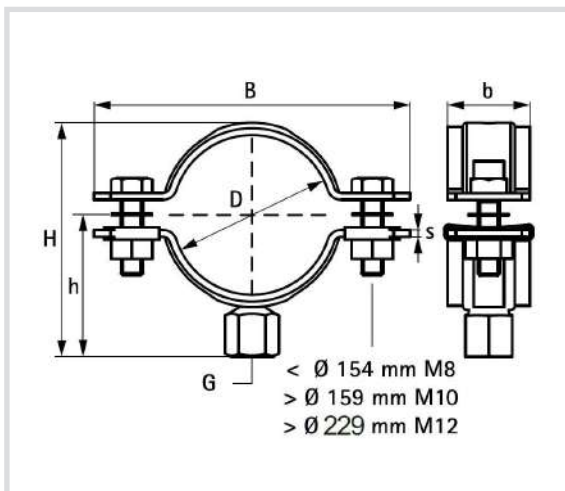


Technical specifications and advantages

- Wire-welded nut or socket
- Material: S235JR steel
- Galvanised
- Pre-assembled
- Possibility of connection with nut or socket
- Tested for fire resistance
- Washers on the screws for easy installation



RAL-GZ 656
Cert. No. 2011-05



Code	D [mm]	D ["]	D [DN]	G ["]	B [mm]	H [mm]	h [mm]	b x s [mm]	Fa,z [N]
5910019	15-19	3/8	10	1/2	75	43	29	30 x 2,5	2100
5910023	19-23	1/2	15	1/2	78	47	31	30 x 2,5	2100
5910030	25-30	3/4	20	1/2	84	54	35	30 x 2,5	2100
5910036	31-36	1	25	1/2	91	60	38	30 x 2,5	2100
5910042	37-42	-	-	1/2	98	66	40	30 x 2,5	2100
5910045	40-45	1 1/4	32	1/2	101	69	42	30 x 2,5	2100
5910052	47-52	1 1/2	40	1/2	109	76	46	30 x 2,5	2100
5910058	53-58	-	-	1/2	115	82	48	30 x 2,5	2100
5910065	59-65	2	50	1/2	122	89	52	30 x 2,5	2100
5910071	66-71	-	-	1/2	129	95	55	30 x 2,5	2100
5910078	72-78	2 1/2	65	1/2	136	103	59	30 x 3,0	4000
5910085	79-85	-	-	1/2	144	110	63	30 x 3,0	4000
5910092	86-92	3	80	1/2	152	117	66	30 x 3,0	4000
5910106	98-106	-	-	1/2	165	131	73	30 x 3,0	4000
5910116	108-116	4	100	1/2	175	141	78	30 x 3,0	4000
5910133	125-133	-	-	1/2	193	158	87	30 x 3,0	4000
5910140	132-140	5	125	1/2	200	165	90	30 x 3,0	4000
5910154	148-154	-	-	1/2	215	179	97	30 x 3,0	4000
5910169	159-169	6	150	1/2	240	195	105	40 x 4,0	8200
5910183	173-183	-	-	1/2	254	209	112	40 x 4,0	8200
5910202	192-202	-	-	1/2	274	240	133	40 x 4,0	8200
5910219	208-219	-	-	1/2	290	244	130	40 x 4,0	8200
5910227	217-227	8	200	1/2	299	253	134	40 x 4,0	8200
5910254	244-254	-	-	1/2	335	280	148	40 x 4,0	8200
5910279	267-279	10	250	1/2	360	315	170	40 x 4,0	8200
5910289	279-289	-	-	1/2	367	324	175	50 x 5,0	12000
5910325	315-325	12	300	1/2	403	348	183	50 x 5,0	12000
5910360	350-360	14	350	1/2	439	358	193	50 x 5,0	12000
5910408	398-408	16	400	1/2	487	433	224	50 x 5,0	12000
5910436	424-436	-	-	1/2	515	461	238	50 x 5,0	12000
5910458	448-458	18	450	1/2	537	483	249	50 x 5,0	12000
5910509	499-509	20	500	1/2	588	534	275	50 x 5,0	12000

