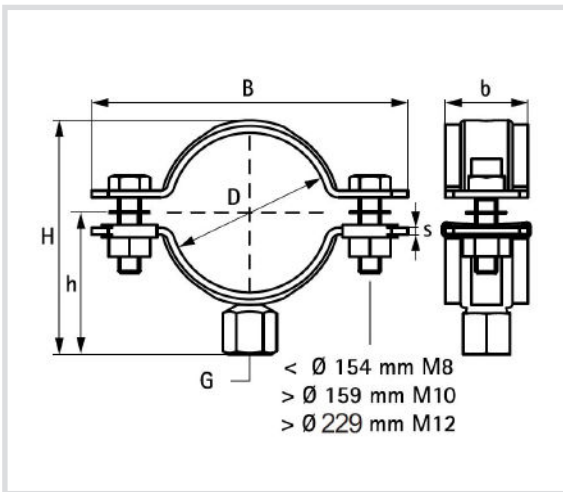


Art. 591 CORH HD s/gomma - Collare extra pesante - Attacco 1/2"
CORH HD without rubber - Heavy duty pipe clamp - 1/2"



Caratteristiche tecniche e vantaggi

- Dado o manicotto saldato a filo
- Materiale: acciaio S235JR
- Zincato
- Pre-montato
- Possibilità di collegamento con dado o manicotto
- Rondelle sulle viti per facile installazione



Codice	D [mm]	D ["]	D [DN]	G ["]	B [mm]	H [mm]	h [mm]	b x s [mm]	Fa,z [N]
5910078	72-78	2 1/2	65	1/2	136	103	59	30 x 3,0	4000
5910092	86-92	3	80	1/2	152	117	66	30 x 3,0	4000
5910106	98-106	-	-	1/2	165	131	73	30 x 3,0	4000
5910116	108-116	4	100	1/2	175	141	78	30 x 3,0	4000
5910133	125-133	-	-	1/2	193	158	87	30 x 3,0	4000
5910154	148-154	-	-	1/2	215	179	97	30 x 3,0	4000
5910169	159-169	6	150	1/2	240	195	105	40 x 4,0	8200
5910202	192-202	-	-	1/2	274	240	133	40 x 4,0	8200
5910227	217-227	8	200	1/2	299	253	134	40 x 4,0	8200
5910254	244-254	-	-	1/2	335	280	148	40 x 4,0	8200
5910279	267-279	10	250	1/2	360	315	170	40 x 4,0	8200
5910325	315-325	12	300	1/2	403	348	183	50 x 5,0	12000
5910360	350-360	14	350	1/2	439	358	193	50 x 5,0	12000
5910408	398-408	16	400	1/2	487	433	224	50 x 5,0	12000
5910458	448-458	18	450	1/2	537	483	249	50 x 5,0	12000
5910509	499-509	20	500	1/2	588	534	275	50 x 5,0	12000

