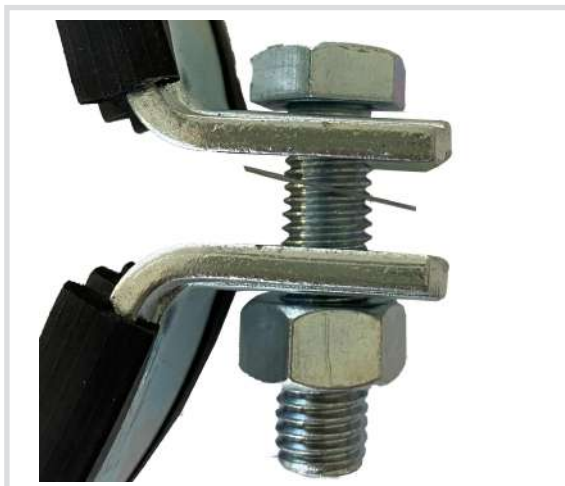
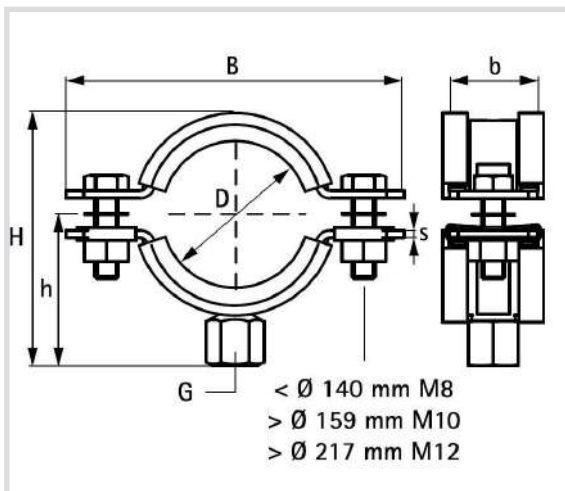


Art. 592 CORH HD with rubber lining - Heavy duty pipe clamps

Specifications and advantages

- Wire-welded nut
- Material: S235JR steel
- Galvanised
- Pre-assembled
- Noise insulation according to DIN 4109
- EPDM rubber resistant to ageing
- Washers on the screws for easy installation
- Also available with silicone coating
- Tested for fire resistance



| Code | D [mm] | D ["] | D [DN] | G | B [mm] | H [mm] | h [mm] | b x s [mm] | Payload [N] |
|---------|---------|-------|--------|---------|--------|--------|--------|------------|-------------|
| 5921023 | 19-23 | 1/2 | 15 | M8/M10 | 84 | 58 | 37 | 30 x 2,5 | 1500 |
| 5921029 | 25-29 | 3/4 | 20 | M8/M10 | 91 | 64 | 40 | 30 x 2,5 | 1500 |
| 5921035 | 30-35 | 1 | 25 | M8/M10 | 98 | 70 | 43 | 30 x 2,5 | 1500 |
| 5921045 | 40-45 | 1 1/4 | 32 | M8/M10 | 109 | 80 | 48 | 30 x 2,5 | 1500 |
| 5921051 | 46-51 | 1 1/2 | 40 | M8/M10 | 115 | 86 | 51 | 30 x 2,5 | 1500 |
| 5921059 | 53-59 | - | - | M8/M10 | 122 | 93 | 55 | 30 x 2,5 | 1500 |
| 5921064 | 59-64 | 2 | 50 | M8/M10 | 129 | 99 | 57 | 30 x 2,5 | 1500 |
| 5922076 | 73-78 | 2 1/2 | 65 | M10/M12 | 144 | 123 | 74 | 30 x 3,0 | 2300 |
| 5922088 | 88-93 | 3 | 80 | M10/M12 | 159 | 136 | 81 | 30 x 3,0 | 2300 |
| 5922100 | 100-106 | - | - | M10/M12 | 175 | 154 | 90 | 30 x 3,0 | 2300 |
| 5922116 | 108-115 | 4 | 100 | M10/M12 | 182 | 160 | 93 | 30 x 3,0 | 2300 |
| 5922132 | 132-140 | 5 | - | M10/M12 | 207 | 184 | 104 | 30 x 3,0 | 2300 |
| 5922169 | 159-169 | 6 | 150 | M10/M12 | 254 | 223 | 124 | 40 x 4,0 | 3800 |
| 5922204 | 194-204 | - | - | M10/M12 | 290 | 258 | 141 | 40 x 4,0 | 3800 |
| 5922227 | 217-227 | 8 | 200 | M10/M12 | 322 | 282 | 152 | 40 x 4,0 | 3800 |
| 5922124 | 124-129 | - | - | M12/M16 | 200 | 178 | 102 | 40 x 4,0 | 2300 |
| 5922140 | 138-144 | 5 | 125 | M12/M16 | 227 | 180 | 110 | 40 x 4,0 | 3800 |
| 5923165 | 165-171 | 6 | 150 | M12/M16 | 254 | 220 | 120 | 40 x 4,0 | 3800 |
| 5926250 | 240-250 | - | - | M16 | 345 | 302 | 163 | 40 x 4,0 | 3800 |
| 5926275 | 265-275 | 10 | 250 | M16 | 367 | 327 | 175 | 50 x 5,0 | 9200 |
| 5926325 | 315-325 | 12 | 300 | M16 | 414 | 374 | 198 | 50 x 5,0 | 9200 |
| 5926364 | 354-364 | 14 | 350 | M16 | 453 | 412 | 217 | 50 x 5,0 | 9200 |
| 5926408 | 398-408 | 16 | 400 | M16 | 497 | 456 | 239 | 50 x 5,0 | 9200 |
| 5926458 | 448-458 | 18 | 450 | M16 | 548 | 506 | 264 | 50 x 5,0 | 9200 |
| 5926509 | 499-509 | 20 | 500 | M16 | 599 | 557 | 289 | 50 x 5,0 | 9200 |