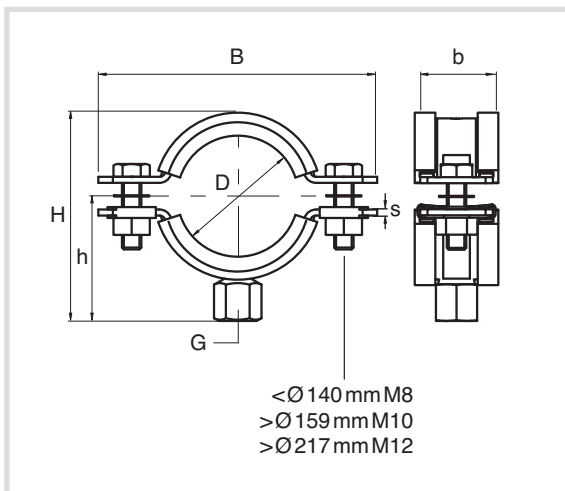


**Art. 593 CORH HD with rubber lining - Heavy duty pipe clamps - 1/2"**

*Technical specifications and advantages*

- Pre-assembled
- Wire-welded socket
- Material: S235JR steel
- Galvanised
- Noise insulation according to DIN 4109
- EPDM rubber resistant to ageing
- Washers on the screws for easy installation
- Also available with silicone coating
- Tested for fire resistance



Code	D [mm]	D ["]	D [DN]	G	B [mm]	H [mm]	h [mm]	b x s [mm]	Payload [N]
5930078	72 - 78	2 1/2	65	1/2"	144	109	60	30 x 3,0	2300
5930092	86 - 92	3	80	1/2"	159	123	68	30 x 3,0	2300
5930109	101 - 109	-	-	1/2"	175	140	74	30 x 3,0	2300
5930116	108 - 116	-	-	1/2"	182	147	79	30 x 3,0	2300
5930133	125 - 133	-	-	1/2"	200	164	86	30 x 3,0	2300
5930140	132 - 140	5	125	1/2"	207	171	91	30 x 3,0	2300
5930169	159 - 169	6	150	1/2"	254	210	110	40 x 4,0	3800
5930204	194 - 204	-	-	1/2"	290	245	128	40 x 4,0	3800
5930227	217 - 227	8	200	1/2"	322	268	140	40 x 4,0	3800
5930250	240 - 250	-	-	1/2"	345	292	153	40 x 4,0	3800
5930275	265 - 275	10	250	1/2"	367	317	165	50 x 5,0	9200
5930325	315 - 325	12	300	1/2"	414	364	188	50 x 5,0	9200
5930364	354 - 364	14	350	1/2"	453	402	207	50 x 5,0	9200
5930408	398 - 408	16	400	1/2"	497	446	229	50 x 4,0	9200
5930458	448 - 458	18	450	1/2"	548	496	254	50 x 5,0	9200
5930509	499 - 509	20	500	1/2"	599	547	279	50 x 5,0	9200

