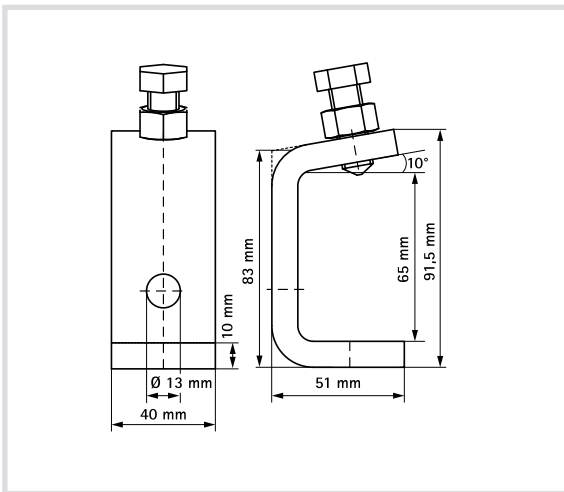


Art. 8619 Clamp for fixing to beams



Technical specifications and advantages

- For fixing to beam without drilling or welding
- Always use 2 clamps to fix
- Material: 1.0332 steel
- Hot-dip galvanized



| Code | Fixing rail |
|----------------|-------------|
| 8619000 | 41x41 |

