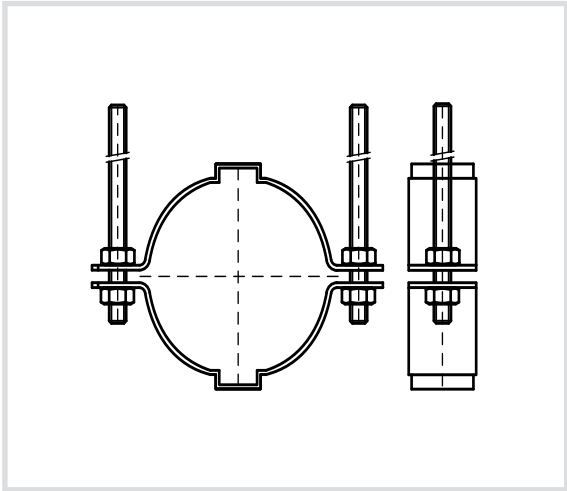
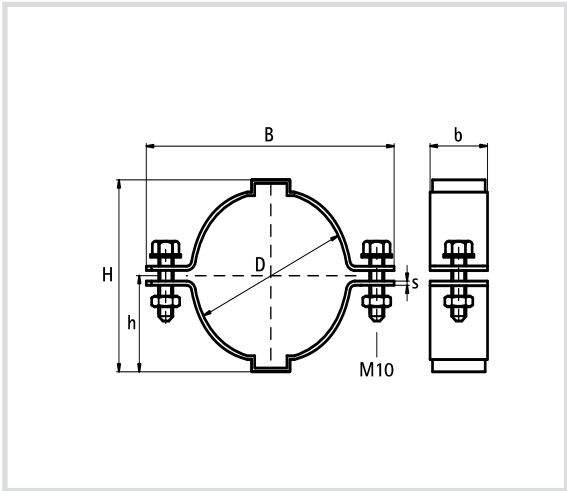


Art. 4106 Clamp for spiral ducts



Technical specifications and advantages

- Suspension on two points
- Material: pre-galvanised steel

Code	D [mm]	B [mm]	H [mm]	h [mm]	b x s [mm]	Payload [N]
4106450	450	515	476	238	25 x 2,5	4000
4106500	500	565	526	263	25 x 2,5	4000
4106560	560	625	586	293	25 x 2,5	4000
4106600	600	665	626	313	25 x 2,5	4000
4106630	630	695	656	328	25 x 2,5	4000
4106710	710	775	736	368	25 x 2,5	4000
4106800	800	865	826	413	25 x 2,5	4000
4106900	900	965	926	463	25 x 2,5	4000
4106999	1000	1062	1005	503	25 x 2,5	4000
4106997	1120	1186	1125	563	25 x 3,0	4000
4106998	1250	1316	1255	628	25 x 3,0	4000

Payload calculated when fastening with 2 threaded rods
