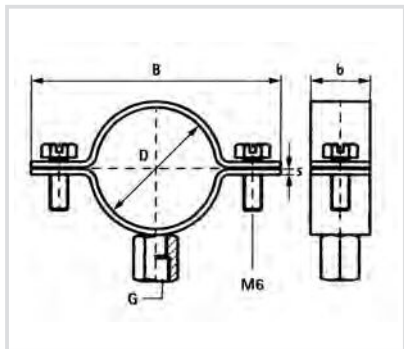


Art. 440 Collare con attacco M8/M10 - AISI 316
Pipe clamp M8/M10 - AISI 316



Caratteristiche tecniche e vantaggi

- Lucido
- In acciaio inox AISI 316
- Pre-montato con rondella sulle viti laterali
- Per installazioni in ambienti corrosivi
- Con dado M8/M10



| Codice | D [mm] | D ["] | DN ["] | G | b x s [mm] | B [mm] |
|--------|-----------|----------|-----------|--------|---------------|-----------|
| 440018 | 15-18 | 3/8 | 10 | M8/M10 | 20x2,0 | 54 |
| 440021 | 20-24 | 1/2 | 15 | M8/M10 | 20x2,0 | 62 |
| 440027 | 26-30 | 3/4 | 20 | M8/M10 | 20x2,0 | 66 |
| 440034 | 32-36 | 1 | 25 | M8/M10 | 20x2,0 | 72 |
| 440042 | 40-43 | 1 1/4 | 32 | M8/M10 | 20x2,0 | 80 |
| 440048 | 44-49 | 1 1/2 | 40 | M8/M10 | 20x2,0 | 87 |
| 440054 | 51-55 | - | - | M8/M10 | 20x2,0 | 94 |
| 440060 | 60-64 | 2 | 50 | M8/M10 | 20x2,0 | 102 |
| 440070 | 67-73 | - | - | M8/M10 | 20x2,0 | 118 |
| 440076 | 75-80 | 2 1/2 | 65 | M8/M10 | 20x2,0 | 125 |
| 440089 | 87-92 | 3 | 80 | M8/M10 | 20x2,0 | 141 |
| 440100 | 99-105 | - | 90 | M8/M10 | 20x2,0 | 155 |
| 440110 | 106-112 | - | - | M8/M10 | 20x2,0 | 162 |
| 440115 | 114-119 | 4 | 100 | M8/M10 | 20x2,0 | 171 |
| 440125 | 124-131 | - | - | M8/M10 | 20x2,0 | 179 |
| 440140 | 133-140 | 5 | 125 | M8/M10 | 20x2,0 | 190 |
| 440160 | 159-165 | 6 | 150 | M8/M10 | 20x2,0 | 211 |
| 440200 | 199-212 | - | - | M8/M10 | 20x2,0 | 253 |

