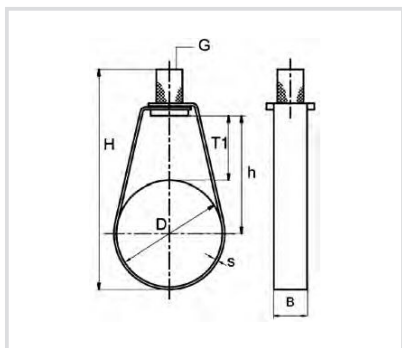


Art. 603 Collare per impianto sprinkler FM - UL
Clamp for sprinkler installation

Caratteristiche tecniche e vantaggi

- Materiale: acciaio S235JR
- Zincato
- Approvato FM
- Approvato UL



Codice	D (mm)	D' (")	G	B x S (mm)	T1 (mm)	H (mm)	h (mm)	F _{az} (N)
603021	23	1/2	M10	16 x 1,0	48	86	37	1500
603027	28	3/4	M10	16 x 1,0	48	86	34	1500
603034	35	1	M10	16 x 1,0	48	89	31	1500
603042	44	1 1/4	M10	16 x 1,0	49	98	29	1500
603048	50	1 1/2	M10	16 x 1,0	54	105	30	1500
603060	62	2	M10	16 x 1,0	62	117	32	1500
603076	77	2 1/2	M10	22 x 2,0	70	133	35	1500
603089	90	3	M10	22 x 2,0	76	146	32	4500
603114	115	4	M10	22 x 2,0	95	178	38	4500
603140	142	5	M12	25 x 3,0	121	222	49	5200
603168	170	6	M12	25 x 3,0	133	251	49	5200
603219	221	8	M12	25 x 3,0	168	308	59	5200

