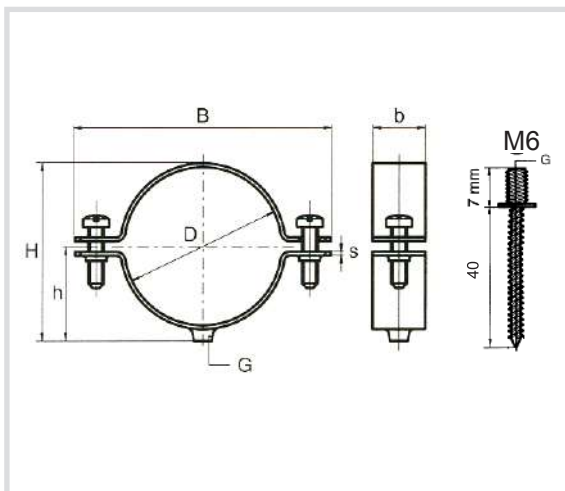


Art. 6088 Copper pipe clamp



*Technical specifications and advantages*

- Pre-assembled
- Material: pickled copper, class DHP R2
- Side screws M5 x 12
- M6 attachment
- Includes M6x40 hanger bolt and 8x40 anchor
- In a handy 10-piece LDPE pack



Code	D [mm]	G	H [mm]	B [mm]	h [mm]	b x s [mm]
<b>608810</b>	10	M6	19	37	10	11x1,5
<b>608812</b>	12	M6	24	45	13	11x1,5
<b>608814</b>	14	M6	24	45	13	11x1,5
<b>608816</b>	15-16	M6	24	45	15	11x1,5
<b>608818</b>	18	M6	27	45	14	11x1,5
<b>608822</b>	22	M6	28	46	16	11x1,5
<b>608828</b>	28	M6	35	55	20	11x1,5
<b>608835</b>	35	M6	42	68	25	11x1,5
<b>608842</b>	42	M6	50	71	28	11x1,5
<b>608854</b>	54	M6	64	93	33	11x1,5

