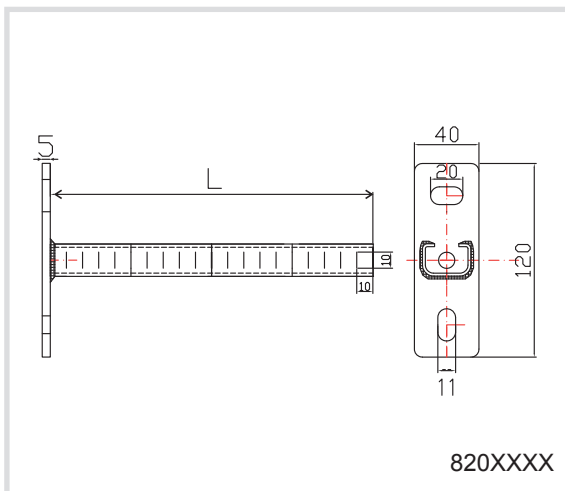


Art. 820 CorRail Galvanised cantilever arm



Technical specifications

- Made of S235JR steel
- Galvanised
- CO₂ welding
- Slots in the base at 90° for error-proof installation
- Graduated centimetre scale on one side
- If made with CH15 or CH30 fixing rail, fixing from both sides is possible



Code	L [mm]	Type Fixing rail	From [mm]
8200015	150	CH0	27 x 18
8200020	200	CH0	27 x 18
8201520	200	CH15	30 x 20
8200230	300	CH2	30 x 30
8200240	400	CH2	30 x 30
8200250	500	CH2	30 x 30



For further information on the maximum permitted loads, please refer to the load tables.

