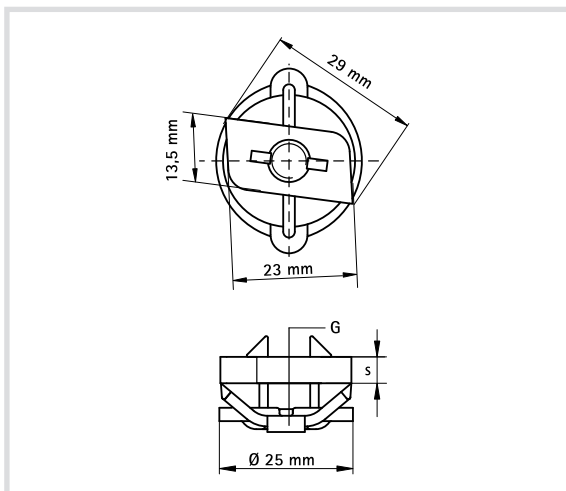


Art. 8203 CorRail Slide nut



Technical specifications and advantages

- With pre-assembled plastic spring for easy assembly
- Suitable for all CorRail fixing rails
- Materials: metal parts in 1.0332 steel, spring in polyoxymethylene (POM), green
- Galvanised



Code	G	s [mm]	T [Nm]	Payload [N]
8203006	M6	4	7,5	2000
8203008	M8	5	15	2700
8203010	M10	5	15	2900

