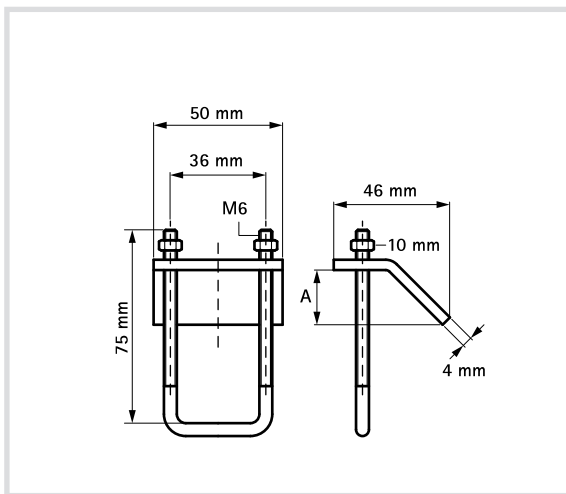


Art. 8995RCorRail rail beam clamp - AISI 316



Technical specifications and advantages

- Made of AISI 316 stainless steel
- To connect to a steel support without welding or drilling
- Always use 2 plates to fix



Code	A [mm]	For fixing rails	Payload [N]
8995R06	< 16	CH1, 15, 2	4500

