

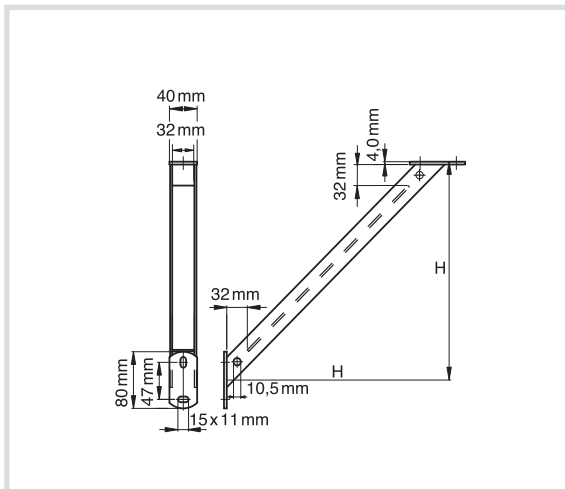
Art. 8994 CorRail rail prop



*Technical specifications and advantages*

- Made of galvanised steel
- CO<sub>2</sub> welding
- To increase the load with fixing above, below or on the side of the cantilever arm

Code	For fixing rails	H [mm]
<b>899435</b>	CorRail	350



For the cantilever arm support of the 38x40 fixing rail, see the STRUT fixing rails category

