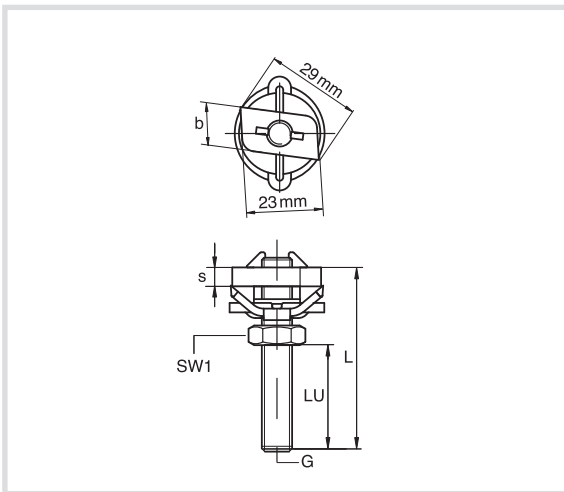


Art. 65270 CorRail slide nut with threaded pin - AISI 316



Technical specifications and advantages

- Made of AISI 316 stainless steel
- With a plastic spring that keeps the piece assembled in the desired position until tightening
- Spring material: POM (polyoxymethylene), light blue
- Pin height adjustment
- Quick and easy installation
- For CorRail fixing rails



Code	G	L [mm]	Suitable Fixing rails	SW1 [mm]	LU [mm]	b x s [mm]	Fa,z [N]
6527084	M8	40	CorRail	13	25	13,5 x 5	5000
6527088	M8	80	CorRail	13	65	13,5 x 5	5000
6527094	M10	40	CorRail	17	22	14,0 x 5	4750
6527098	M10	80	CorRail	17	62	14,0 x 5	4750

