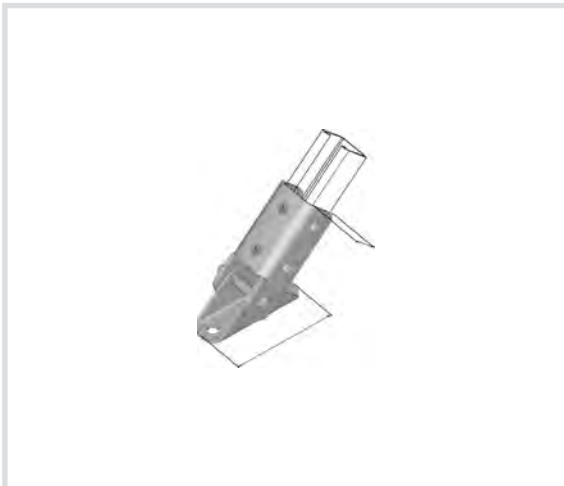
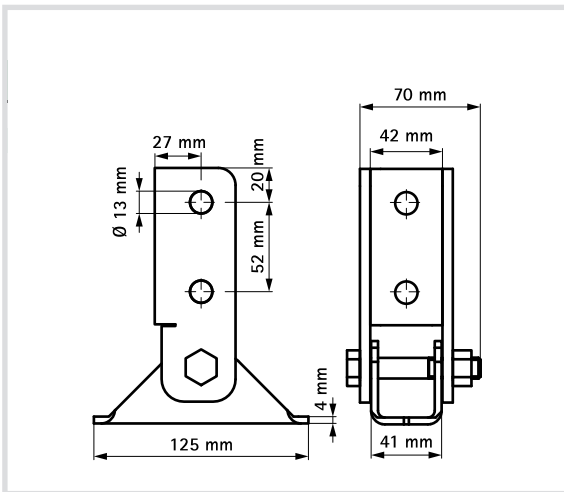


Art. 8691000 CorSTRUT adjustable wall plate



Technical specifications and advantages

- Made with 1.0332 steel
- CO₂ welding
- Adjustable for any fixing rail inclination
- Suitable for any CorSTRUT fixing rail



Code	Fixing rails
8691000	CorSTRUT