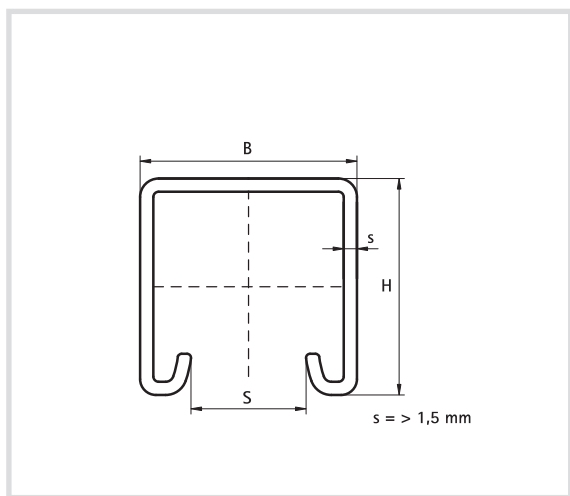


Art. 8125 CorSTRUT fixing rail



**Technical specifications and advantages**

- Made of pre-galvanised S235JR steel
- The distance between the end of the fixing rail and the first hole is always the same
- Available with hot-dip galvanisation (upon request)
- Tested for safety against fire
- Plasticity load: 240 N/mm<sup>2</sup>
- With notches on the inside for greater adhesion of the components
- For information on the maximum permitted loads, refer to the load tables



Code	Measurements B x H [mm]	Thickness (s) [mm]	Length [mm]	S [mm]
<b>CorSTRUT Fixing rails</b>				
812501	41 x 21	1,5	3000	22
812502	41 x 21	2,0	3000	22
812504	41 x 41	1,5	3000	22
812505	41 x 41	2,0	3000	22
812508	41 x 41	2,5	3000	22
812509	41 x 41	2,0	6000	22
812510	41 x 41	2,5	6000	22
812511	41 x 62	2,5	3000	22
812512	41 x 62	2,5	6000	22
812514	41 x 82	2,5	3000	22
<b>Double CorSTRUT fixing rails</b>				
812526	41 (2x41)	2,5	3000	22
812528	41 (2x62)	2,5	3000	22

