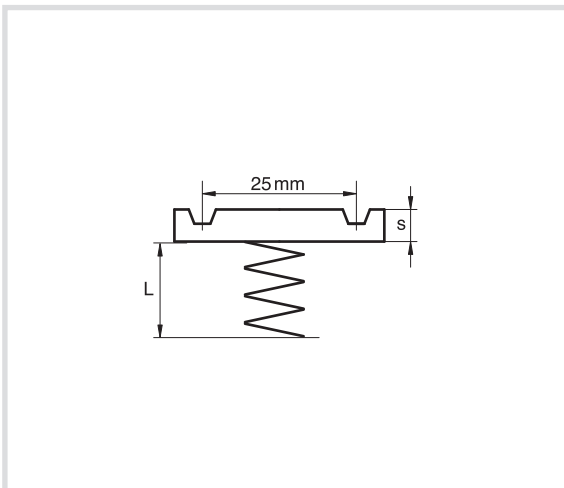
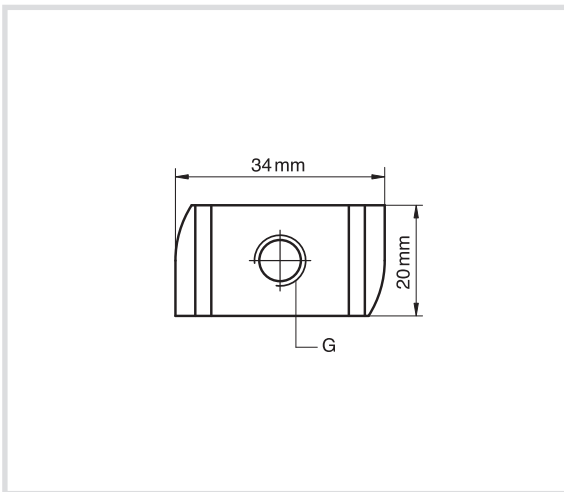


Art. 862 CorSTRUT slide nut with spring



Technical specifications and advantages

- Material: steel slide nut 1.0332;
steel spring DIN 17223 (class A)
- Galvanised



Code	G	For	L [mm]	s [mm]	Payload [N]
8620006	M6	CorSTRUT 41x21	13	5,0	5300
8620008	M8	CorSTRUT 41x21	13	6,0	6000
8620010	M10	CorSTRUT 41x21	13	8,0	9500
8620012	M12	CorSTRUT 41x21	13	9,0	10000
8621006	M6	CorSTRUT 41x41	13	5,0	5300
8621008	M8	CorSTRUT 41x41	33	6,0	6000
8621010	M10	CorSTRUT 41x41	33	8,0	9500
8621012	M12	CorSTRUT 41x41	33	9,0	10000
HOT GALVANISED					
8622006	M6	CorSTRUT 41x21	13	5,0	5300
8622008	M8	CorSTRUT 41x21	13	6,0	6000
8622010	M10	CorSTRUT 41x21	13	8,0	9500
8622012	M12	CorSTRUT 41x21	13	9,0	10000
HOT GALVANISED					
8623006	M6	CorSTRUT 41x41	33	5,0	5300
8623008	M8	CorSTRUT 41x41	33	6,0	6000
8623010	M10	CorSTRUT 41x41	33	8,0	9500
8623012	M12	CorSTRUT 41x41	33	9,0	10000