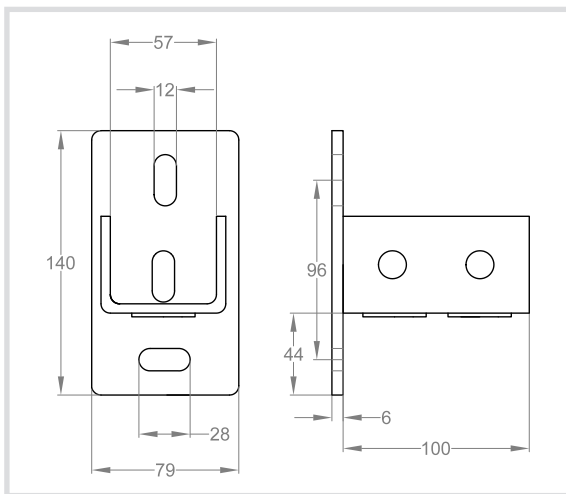


Art. 8630000 CorSTRUT wall plate with side holes and pre-assembled bolts



Technical specifications and advantages

- Made with 1.0332 steel
- Slots on the base at 90° to simplify assembly
- Hot-dip galvanised
- Tested for fire resistance
- With pre-fitted bolts



Code	Fixing rails
8630000	41x21 e 41x41

