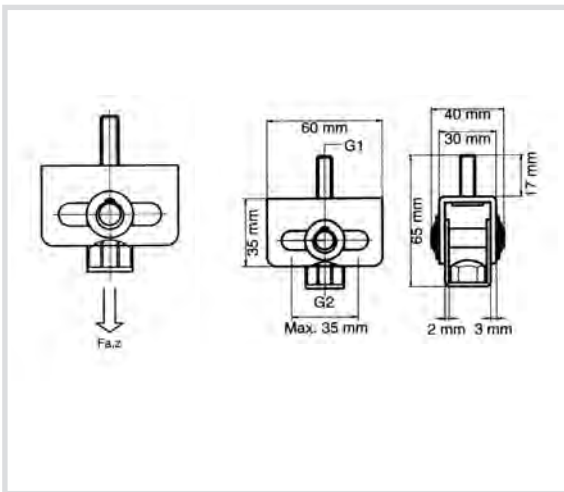


Art. 973 Expansion joint



Technical specifications and advantages

- To compensate for the expansion and contraction of all types of pipes
- Can be fixed directly into the wall using a metric thread anchor or connecting it to a galvanised fixing rail using a slide nut
- Made with 1.0332 galvanised steel
- CO₂ welded nut and screw
- Maximum sliding = 35 mm



Code	G1 [mm]	G2 [mm]	Payload [N]
973008	M8	M8/M10	1500
973010	M10	M8/M10	1500

