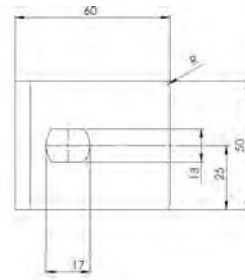
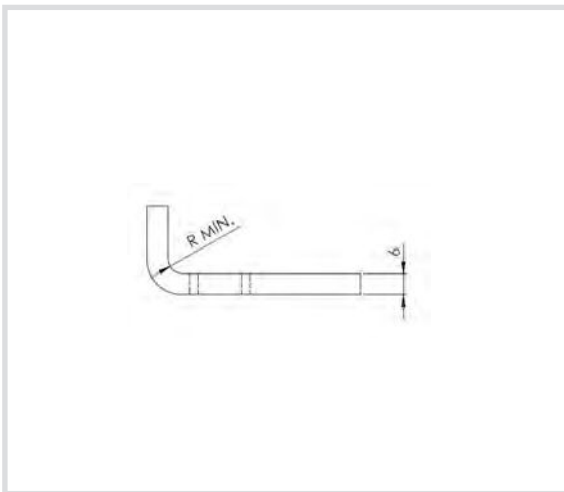


Art. 8627 Fixing for CorSTRUT fixing rails



Technical specifications and advantages

- For connection to a steel structure without drilling or welding
- Material: S235JR steel
- Hot-dip galvanised



Code	A [mm]
8627001	< 10
8627002	< 15

