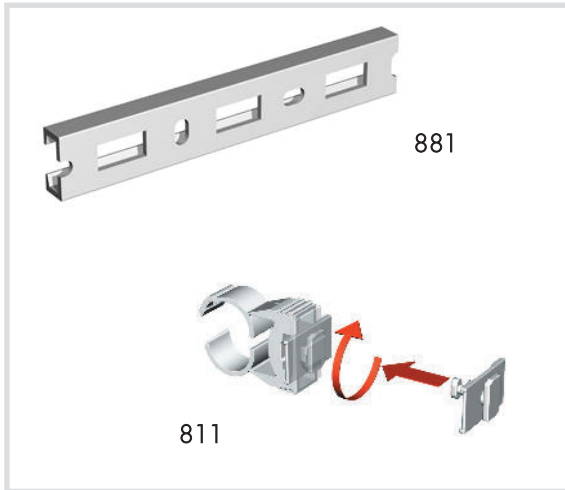


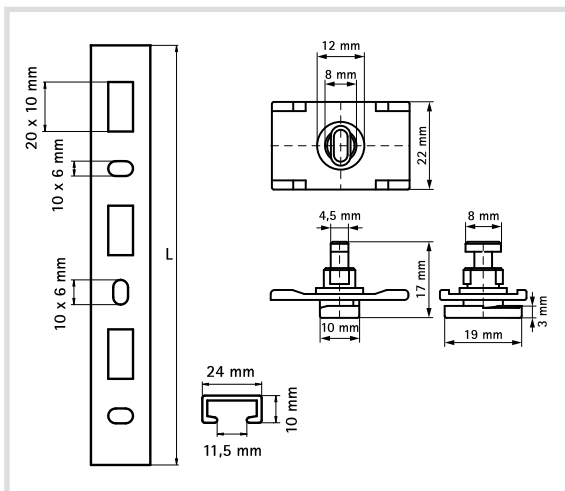
Art. 881 e 811 StarQuick® Fixing rail and adapter

WATCH THE VIDEO



Technical specifications and advantages

- To fasten multiple StarQuick®
- Completely plastic fastening can be performed
- Fastening from both sides of the fixing rail is possible
- Suitable for pipes with a diameter of 35 mm (StarQuick SQ32)
- Materials: PVC fixing rail; PA 6 adapter



Code grey	Code copper	Type	Dimensions [mm]	Length [mm]	Breaking load N at 20° C
881 0100	881 6100	Fixing rail	25x10 mm	1000 mm	100 N
811 0000	811 6000	Adapter			

