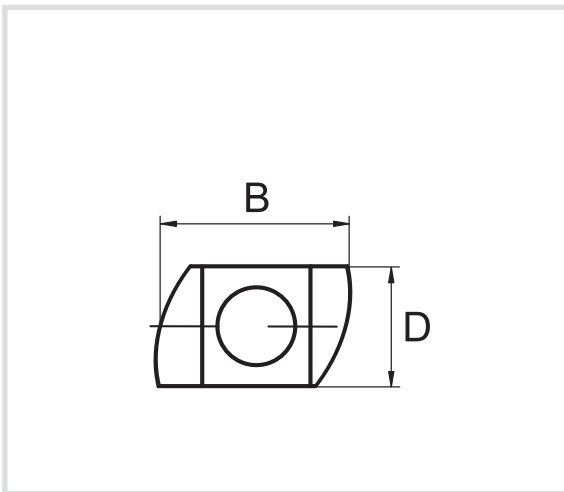


Art. 6590 Hammer head screw



Technical specifications and advantages

- Material: S235JR steel
- Galvanised
- For any type of threaded fixing on the fixing rails
- For all types of CorRail



Code	L	G	H [mm]	B [mm]	D [mm]
659001	30	M8	6	25	12
659003	30	M10	6	25	12

