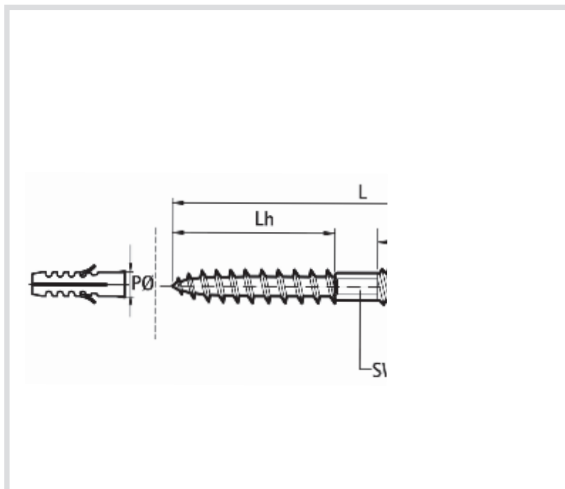


Art. 835 Hanger bolt



Technical specifications and advantages

- Material: steel
- Galvanised white
- With torx
- With hexagon for fine adjustment



Codice	Measurements Ø	Length [mm]	Lh [mm]	Lm1 [mm]	SW1 [mm]
835006	M6	80	30	30	-
835008	M8	90	35	35	6
835128	M8	120	50	40	6
835158	M8	150	50	50	6
835188	M8	180	60	40	6
835208	M8	200	50	50	6
835010	M10	120	50	40	8
835014	M10	140	50	40	8
835018	M10	180	55	60	8
835023	M10	230	55	40	8
835222	M12	120	60	35	10

