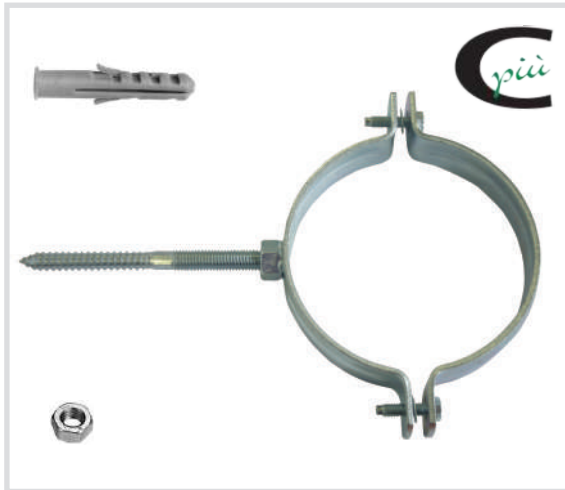
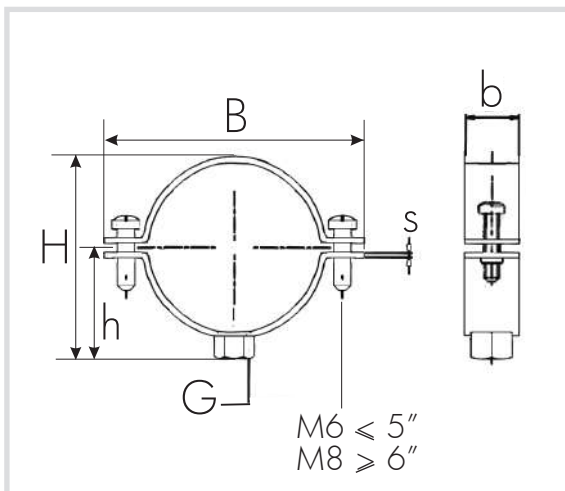


Art. 622 Heavy pipe clamp for steel and PE, PVC, PP with hanger bolt and anchor



Technical specifications and advantages

- Non-threaded screw tip for centring and immediate threading attachment
- Pre-assembled
- Made of galvanised steel
- Washer on the screws
- Closing screw: combined cut DIN-ISO 7051 galvanised M6 up to diam.141, M8 from diam.159 up to 315
- M10 nut
- 12 x 60 anchor
- M10 x 120 tie rod with hexagon and torx



Code	D [mm]	D ["]	G	B [mm]	H [mm]	h [mm]	bxs [mm]	Payload [N]
622040	40	1 1/4	M10	78	52	30	30 x 2,5	1470
622050	50	1 1/2	M10	90	59	33	30 x 2,5	1470
622063	63	2	M10	103	73	41	30 x 2,5	1470
622075	74-81	2 1/2	M10	109	106	57	25 x 3,0	1850
622080	80	-	M10	115	107	60	25 x 3,0	1850
622090	85-91	3	M10	147	108	74	25 x 3,0	1850
622100	98-106	3 1/2	M10	139	111	60	25 x 3,0	1850
622110	108-115	4	M10	171	121	65	25 x 3,0	1850
622125	124-133	-	M10	164	139	74	25 x 3,0	1850
622140	132-141	5	M10	180	150	79	25 x 3,0	1850
622160	159-169	6	M10	200	170	90	25 x 3,0	1850
622200	192-202	-	M10	239	211	109	25 x 3,0	1850
622250	250	-	M10	342	245	126	30 x 3,0	2940
622315	315	12	M10	420	310	156	30 x 3,0	2940

