

Art. 663 JUNCO Flex® for single command valve

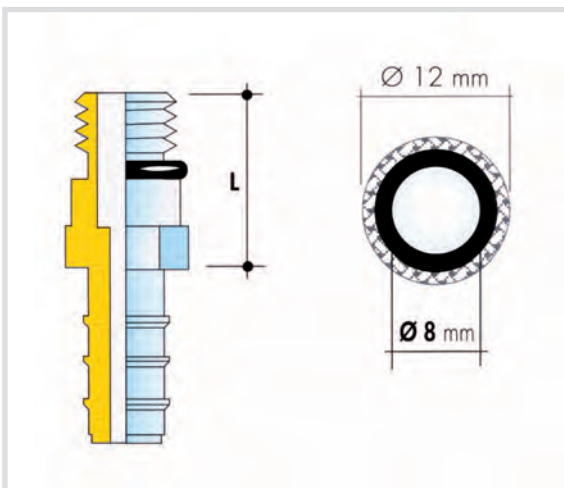


Technical specifications and advantages

- 7 wire braid in AISI 304 stainless steel, diameter 12 mm
- Turned female fittings
- Marked with "CORH" and year of manufacture
- EPDM rubber suitable for the passage of drinking water according to Italian Min. Dec.174:2004
- Assembly instructions in the package
- 95% coverage



| Code | Female Ø | Male | Length [cm] |
|------------|----------|--------|-------------|
| 663FMM1C30 | 3/8 | 10x1 C | 30 |
| 663FMM1C35 | 3/8 | 10x1 C | 35 |
| 663FMM2C30 | 1/2 | 10x1 C | 30 |
| 663FMM2C35 | 1/2 | 10x1 C | 35 |
| 663FMM1L30 | 3/8 | 10x1 L | 30 |
| 663FMM1L35 | 3/8 | 10x1 L | 35 |
| 663FMM2L30 | 1/2 | 10x1 L | 30 |
| 663FMM2L35 | 1/2 | 10x1 L | 35 |



Length

| | | |
|-----------------|---|------------|
| Short type | C | L = 18 mm |
| Long type | L | L = 45 mm |
| Standard length | | 30 - 35 mm |