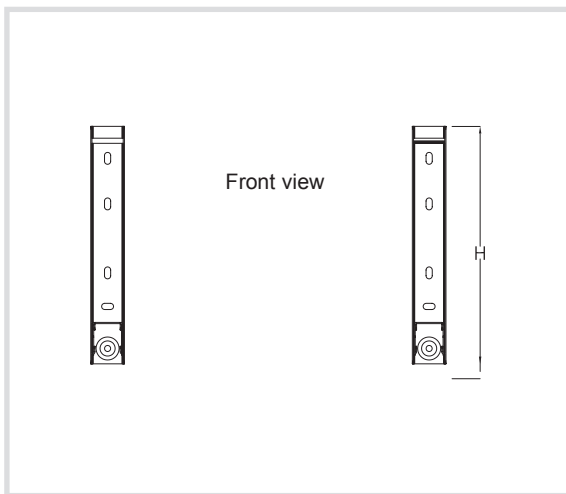


Art. 828 L-shaped wall bracket for air conditioning outdoor units



Technical specifications and advantages

- Material: steel
- Galvanised
- Painted with polyester-based thermosetting powder
- Includes anti-vibration kit and fastenings for wall installation



Code	Material	B [mm]	H [mm]	Thickness [mm]	Payload [kg]
828001	Galvanised	380	400	1,5	120
828002	Galvanised	450	400	1,5	120
828031	Stainless steel	380	365	1,5	120
828032	Stainless steel	450	365	1,5	120

