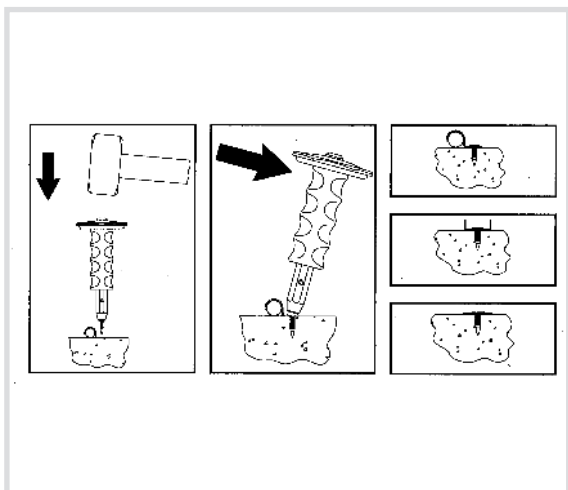
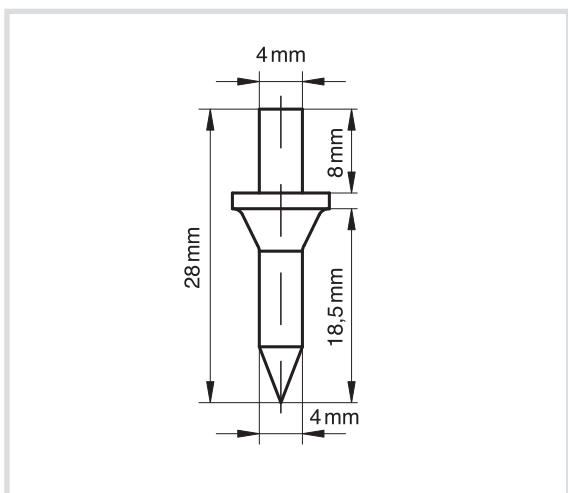


Art. 123 Nail for concrete and fastening tool



Technical specifications and advantages

- Nail made of 1.1740 steel, hardened
- The nail can be hammered into the wall without having to drill holes
- The fastener is designed to hold the nail in place while hammering
- The fastening tool has an ergonomic plastic handle



Code	Description
123001	Nail for concrete
123002	Fastening tool