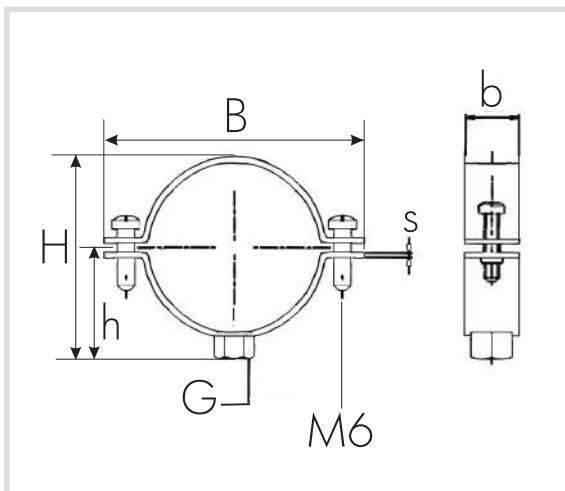


Art. 6202 *Nando* - Pipe clamp with anchor and hanger bolt



*Technical specifications and advantages*

- Drilled nut seat for perfect galvanising
- Non-threaded screw tip for centring and immediate threading attachment
- Washer on the screws
- Pre-assembled
- Material: S235JR steel
- Galvanised
- Locking screws: galvanised DIN-ISO 7051 combined cut
- M8 induction welded nut
- 10 x 60 anchor
- M8 x 90 tie rod with hexagon and torx
- LDPE packs, 2 pcs. per pack
- Anchor with exceptional hold on drilled holes



Code	D [mm]	Measure. [°]	G	B [mm]	H [mm]	h [mm]	bxs [mm]	Payload [N]
<b>620219</b>	15-19	3/8	M8	54	26	17	20 x 2,0	1500
<b>620221</b>	21-23	1/2	M8	61	32	19	20 x 2,0	1500
<b>620227</b>	26-28	3/4	M8	66	35	21	20 x 2,0	1500
<b>620234</b>	32-35	1	M8	74	42	24	20 x 2,0	1500
<b>620242</b>	40-43	1 1/4	M8	81	50	28	20 x 2,0	1500
<b>620248</b>	44-50	1 1/2	M8	87	54	31	20 x 2,0	1500
<b>620260</b>	57-61	2	M8	100	66	37	20 x 2,0	1500



WATCH THE VIDEO

