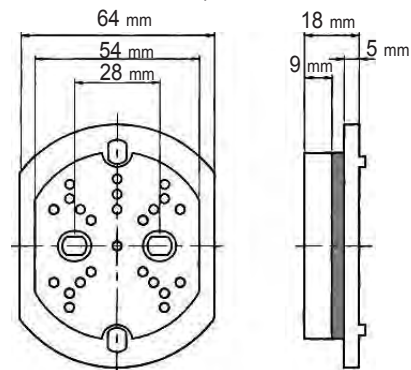


Art. 124003 Noise reducer



*Technical specifications and advantages*

- In ABS with EPDM
- The holes are in the same position as the fastening plate
- Noise reduction according to DIN 4109
- Avoids the transmission of noise between the fastening plate and the building structure
- Easy to assemble
- Can be fastened directly to the wall



Art. 124005 Strip fastening component holder box



*It contains*

- no. 1 Tool for bending of the strip
- no. 10 Fastening plates
- no. 1 Noise reducer
- no. 2 Fastening clamps
- no. 20 Washers 8.4 x 20
- no. 10 Washers 5,3 x 20
- no. 3 M12 (external) x M8 (internal) reducers
- no. 10 M8 x 10 hex head screws
- no. 10 M8 x 16 hex head screws
- no. 10 M8 x 40 hex head screws
- no. 10 M8 x 60 hex head screws
- no. 20 M5 x 16 cylindrical head screws
- no. 20 M5 hex nuts
- no. 20 M6 hex nuts
- no. 10 M6 x 10 hex nuts
- no. 20 M8 hex nuts
- no. 20 x 4.2 x 13 pozi head self-tapping screws
- no. 20 x 4,2 x 16 pozi head self-tapping screws
- no. 20 x 4,8 x 13 pozi head self-tapping screws
- no. 20 x 4,8 x 16 pozi head self-tapping screws
- no. 20 x 4,8 x 19 pozi head self-tapping screws
- no. 20 x 4.8 x 13 hex head self-tapping screws
- no. 20 x 4.8 x 19 hex head self-tapping screws