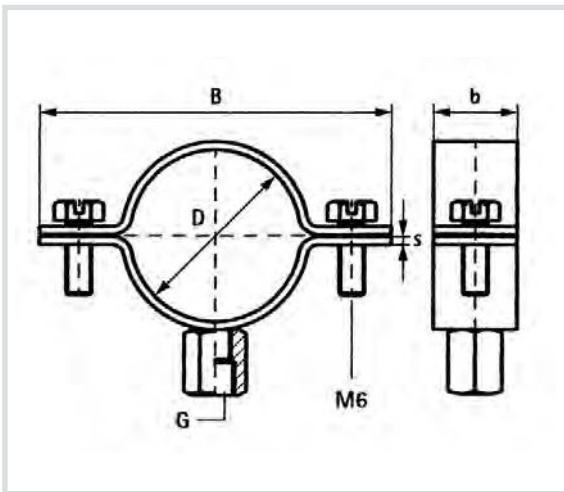


Art. 440 Pipe clamp M8/M10 - AISI 316



### Technical specifications and advantages

- Polished
- In AISI 316 stainless steel
- Pre-assembled with washer on the side screws
- For installations in corrosive environments
- With M8/M10 nut



Code	D [mm]	D ["]	DN ["]	G	b x s [mm]	B [mm]
440018	15-18	3/8	10	M8/M10	20x2,0	54
440021	20-24	1/2	15	M8/M10	20x2,0	62
440027	26-30	3/4	20	M8/M10	20x2,0	66
440034	32-36	1	25	M8/M10	20x2,0	72
440042	40-43	1 1/4	32	M8/M10	20x2,0	80
440048	44-49	1 1/2	40	M8/M10	20x2,0	87
440054	51-55	-	-	M8/M10	20x2,0	94
440060	60-64	2	50	M8/M10	20x2,0	102
440070	67-73	-	-	M8/M10	20x2,0	118
440076	75-80	2 1/2	65	M8/M10	20x2,0	125
440089	87-92	3	80	M8/M10	20x2,0	141
440100	99-105	-	90	M8/M10	20x2,0	155
440110	106-112	-	-	M8/M10	20x2,0	162
440115	114-119	4	100	M8/M10	20x2,0	171
440125	124-131	-	-	M8/M10	20x2,0	179
440140	133-140	5	125	M8/M10	20x2,0	190
440160	159-165	6	150	M8/M10	20x2,0	211
440200	199-212	-	-	M8/M10	20x2,0	253