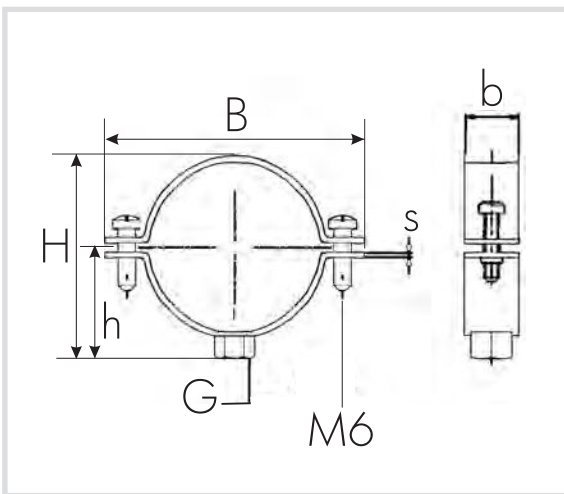


Art. 619X Pipe clamp without hanger bolt and plug - AISI 304



Technical specifications and advantages

- Polished
- M8 nut for diameters from 3/8 to 2", M10 nut for diameters greater than 2"
- Diameters from 3/8 to 2" : pre-assembled clamp, with retaining ring on the side screws
- Side screws in stainless steel, TE combi cut
- For installations in corrosive environments
- Rounded edges, no sharp edges



Codice	Measure Ø [mm]	G	Screws (Ø x L) [mm]	b x s [mm]	Payload [N]
619X18	(16-19) 3/8	M8	M6 x 16	20 x 2,0	1120
619X21	(20-23) 1/2	M8	M6 x 16	20 x 2,0	1120
619X27	(26-28) 3/4	M8	M6 x 16	20 x 2,0	1120
619X34	(32-35) 1"	M8	M6 x 16	20 x 2,0	1120
619X42	(40-43) 1 1/4	M8	M6 x 16	20 x 2,0	1120
619X48	(44-49) 1 1/2	M8	M6 x 16	20 x 2,0	1120
619X60	(57-61) 2"	M8	M6 x 16	20 x 2,0	1120
619X75	2 1/2	M10	M6 x 20	30 x 2,5	1610
619X90	3"	M10	M6 x 20	30 x 2,5	1610
619X10	4"	M10	M6 x 20	30 x 2,5	1610
619X11	5"	M10	M6 x 20	30 x 2,5	1610
619X12	6"	M10	M6 x 20	30 x 2,5	1610

