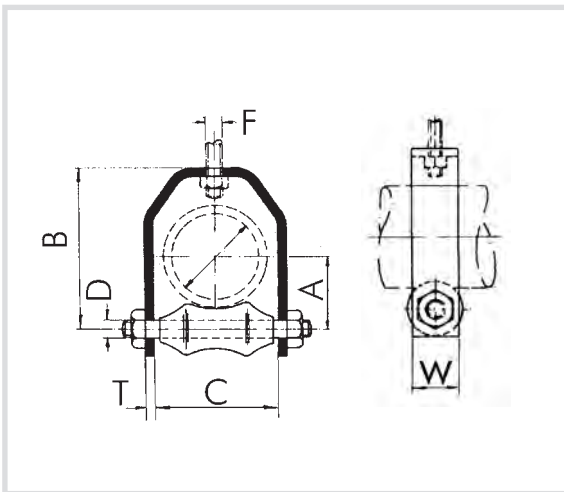


Art. 995 Pipe rollers on suspended support - Heavy loads



Technical specifications and advantages

- Made of galvanised steel, cast iron roller
- For copper pipes, request nylon lining
- The threaded roller support bar should be as short and as rigid as possible to avoid rocking. Ideally 300mm or less.



Code	Measure. Ø pipe	W x T [mm]	Diam. Ø D	A x B [mm]	C [mm]	F [mm]	Payload [N]
995034	(32-35) 1"	30 x 5	M10	30 x 91	50	11	500
995042	(40-43) 1 1/4"	30 x 5	M10	30 x 91	60	11	500
995048	(48-51) 1 1/2"	30 x 5	M10	30 x 95	65	11	500
995060	60 - 2"	30 x 5	M10	38 x 105	65	11	500
995075	76,1 - 2 1/2"	40 x 5	M12	47 x 122	85	14	750
995090	88,9 - 3"	40 x 5	M12	54 x 165	100	14	750
995110	114,3 - 4"	50 x 6	M12	66 x 195	120	14	1000
995139	139,7 - 5"	50 x 6	M16	82 x 216	165	18	1500
995168	168,3 - 6"	50 x 6	M16	100 x 254	188	18	1500
995219	219,1 - 8"	70 x 10	M20	130 x 346	238	26	2000
995273	273 - 10"	70 x 12	M24	160 x 380	285	26	3000
995323	323,9 - 12"	80 x 12	M24	190 x 435	340	26	3000
995355	355,6 - 14"	80 x 12	32 mm	212 x 467	380	26	3000
995406	406,4 - 16"	80 x 12	32 mm	240 x 520	431	26	3000
995457	457,0 - 18"	100 x 20	32 mm	263 x 580	480	32	3000
995508	508,0 - 20"	100 x 20	35 mm	292 x 620	540	32	3000
995609	609,6 - 24"	100 x 25	35 mm	350 x 730	630	32	3000

