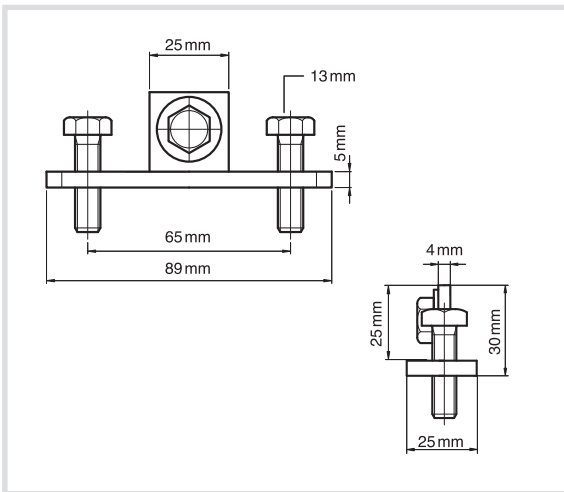


Art. 89910 Pressure fixing element



Technical specifications and advantages

- Made of 1.0332 galvanised steel
- CO₂ welding
- To connect to a steel support without welding or drilling
- For all the CorRaili fixing rails



Code	For fixing rails
899100	CorRail

