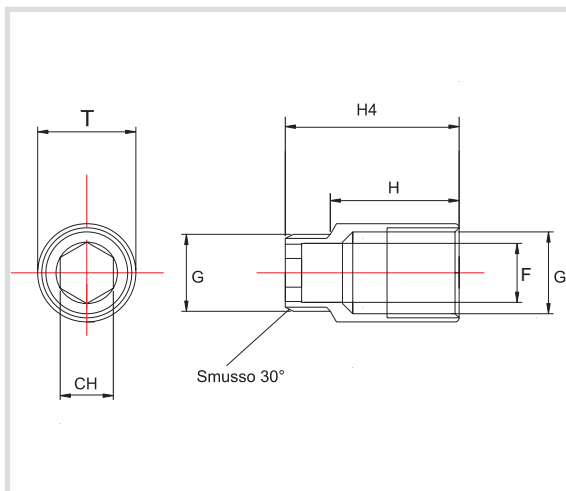


**Art. 246 Prolunga**  
*Male and Female socket*  
*Manchon de prolongement*



**Caratteristiche tecniche e vantaggi**

- Ricavata da barra
- Sede perfettamente piana per guarnizione
- Realizzato con acciaio AVP 1.0736/11S Mn37+C
- Zincata
- Filettatura UNI ISO 228

Codice	Misure G x H [mm]	H4 (± 1) [mm]	T [mm]	CH [mm]
<b>246001</b>	3/8 x 10	22,5	20	9,2
<b>246002</b>	3/8 x 15	25,5	20	9,2
<b>246003</b>	3/8 x 20	30,5	20	9,2
<b>246004</b>	3/8 x 25	35,5	20	9,2
<b>246005</b>	3/8 x 30	40,5	20	9,2
<b>246T06</b>	1/2 x 10	21,5	24	12,3
<b>246T07</b>	1/2 x 15	25,5	24	12,3
<b>246T08</b>	1/2 x 20	30,5	24	12,3
<b>246T09</b>	1/2 x 25	35,5	24	12,3
<b>246T10</b>	1/2 x 30	40,5	24	12,3
<b>246040</b>	1/2 x 40	50,5	24	12,3
<b>246050</b>	1/2 x 50	60,5	24	12,3
<b>246011</b>	3/4 x 10	22,5	30	14,0
<b>246012</b>	3/4 x 15	25,5	30	14,0
<b>246013</b>	3/4 x 20	30,5	30	14,0
<b>246014</b>	3/4 x 25	35,5	30	14,0
<b>246015</b>	3/4 x 30	40,5	30	14,0
<b>246016</b>	1" x 15	27,0	38	19,0
<b>246017</b>	1" x 20	32,0	38	19,0
<b>246018</b>	1" x 25	37,0	38	19,0
<b>246019</b>	1" x 30	42,0	38	19,0
<b>246021</b>	1 1/4 x 10	28,0	50	Foro 30
<b>246022</b>	1 1/4 x 15	30,0	50	Foro 30
<b>246023</b>	1 1/4 x 20	35,0	50	Foro 30
<b>246024</b>	1 1/4 x 25	40,0	50	Foro 30
<b>246025</b>	1 1/4 x 30	45,0	50	Foro 30