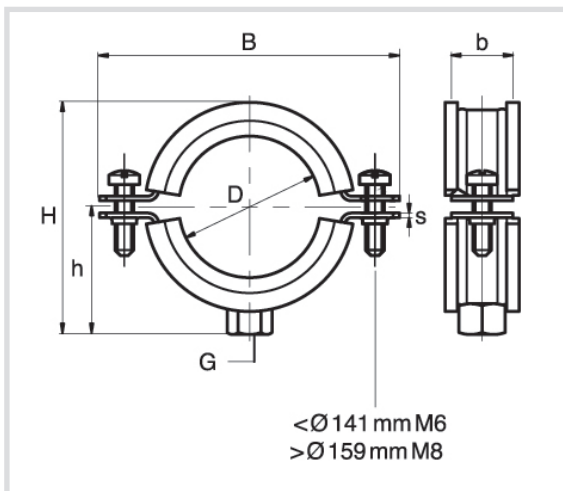


## Art. 4311 Rolf - Pipe clamp with rubber lining - AISI 316



### Technical specifications and advantages

- Made of AISI 316 (A4) stainless steel - polished
- M8 nut for diameters from 1/4 to 2"
- M10 nut for diameters > 2"
- Side screws in stainless steel, TE combi cut
- Age-resistant rubber
- Tested for DIN 4109 noise insulation
- Pre-assembled with washers on the screws to avoid losing them when assembling the pipe



Code	D [mm]	D ["]	D [DN]	G	B [mm]	H [mm]	h [mm]	b x s [mm]	Payload [N]
4311012	12-14	1/4	8	M8	58	34	20	20 x 1,25	900
4311018	15-19	3/8	10	M8	62	37	21	20 x 1,25	900
4311022	20-23	1/2	15	M8	64	41	24	20 x 1,25	900
4311027	25-28	3/4	20	M8	70	47	26	20 x 1,25	900
4311033	32-35	1	25	M8	78	54	28	20 x 1,25	900
4311042	40-43	1 1/4	32	M8	85	61	32	20 x 1,25	900
4311048	44-49	1 1/2	40	M8	92	78	46	20 x 1,25	900
4311050	50-56	-	-	M8	97	84	49	20 x 1,5	1150
4311064	60-64	2	50	M8	108	88	58	20 x 2,0	1350
4312067	64-67	-	-	M10	113	93	55	20 x 2,0	1350
4312076	74-80	2 1/2	65	M10	118	98	52	20 x 2,0	1350
4312085	79-85	-	-	M10	124	104	55	20 x 2,0	1350
4312091	85-91	3	80	M10	130	109	58	20 x 2,0	1350
4312106	100-106	-	-	M10	154	135	72	20 x 2,0	1350
4312116	108-115	4	100	M10	158	137	72	25 x 2,0	1350
4312132	124-132	-	-	M10	170	149	78	20 x 2,5	1710
4312141	133-141	5	125	M10	179	159	83	20 x 2,5	1710
4312168	159-168	6	150	M10	233	195	101	25 x 2,5	1710
4312219	210-219	8	200	M10	285	247	126	25 x 2,5	1710
4312250	244-250	-	-	M10	317	279	142	25 x 2,5	1710