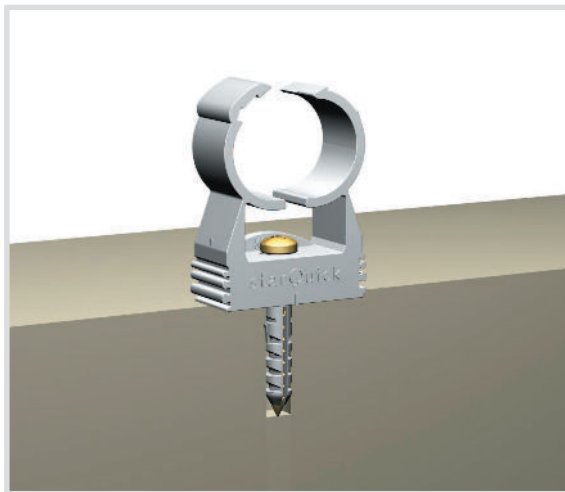


Art. 998 StarQuick® Screws and anchors for wall fixing



*Technical specifications and advantages*

- To fasten the StarQuick® to various surfaces



Code	Dimension [mm]	Type	Description	Material
<b>998 0445</b>	4,5 x 45	SQ-S	Screw	Galvanised steel
<b>998 0460</b>	4,5 x 60	SQ-S	Screw	Galvanised steel
<b>911 0630</b>	6 x 30	SQ-N	Anchor	HDPE
<b>837 506</b>	6 x 30		Universal anchor	PA 6

