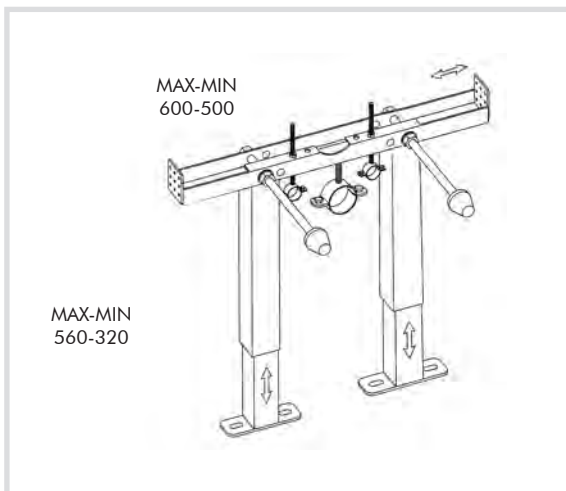


Art. 6388 Self-supporting structure for plasterboard - bidet



Technical specifications and advantages

- Pre-assembled load-bearing structure in galvanised steel
- Suitable for any installation height
- Assembly instructions in the package
- Capacity 400 kg - UNI EN 997:2012
- Centre distance 180/230



Code	Height		Width	
	max	min	max	min
638800	560	320	600	500

