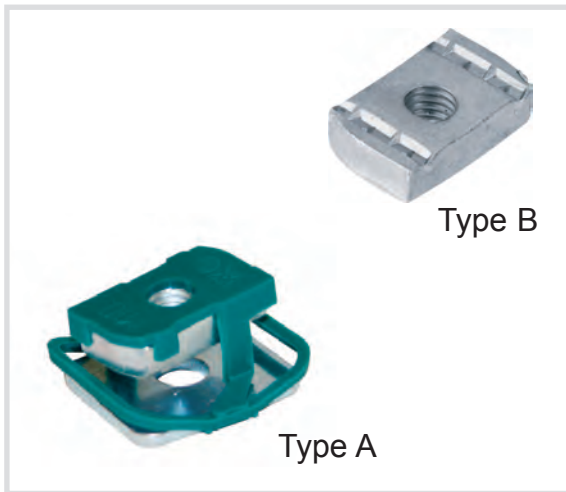
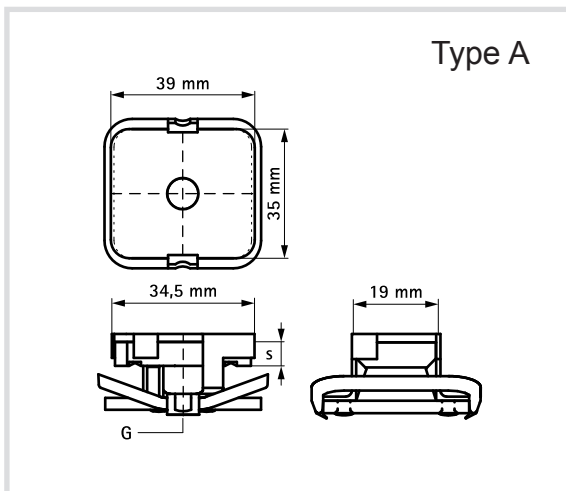


### Art. 861 Slide nut for CorSTRUT



#### Technical specifications and advantages

- Made with 1.0332 steel
- With pre-assembled plastic spring for easy assembly
- Spring in polyoxymethylene (POM), green (RAL 6026)
- Tested for fire resistance



Code	G	Type	s [mm]	Payload [N]
8610006	M6	A	6,0	6000
8610008	M8	A	6,0	6000
8610010	M10	A	8,0	9500
8610012	M12	A	9,0	10000
8611006	M6	B	5,0	5300
8611008	M8	B	6,0	6000
8611010	M10	B	8,0	9500
8611012	M12	B	9,0	10000

#### HOT GALVANISED

8612006	M6	B	5,0	5300
8612008	M8	B	6,0	6000
8612010	M10	B	8,0	9500
8612012	M12	B	9,0	10000

