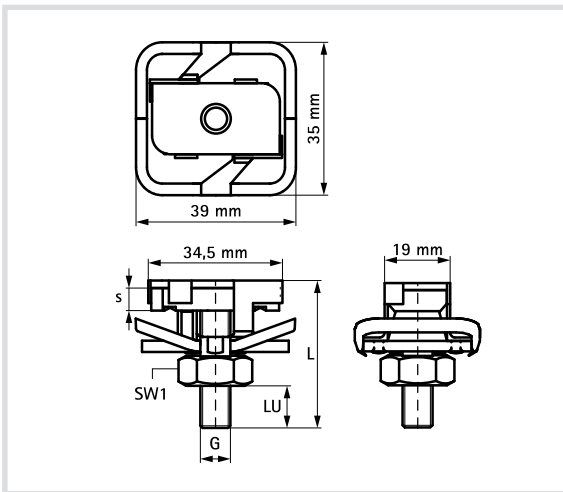


Art. 6527 Slide nut with threaded pin for CorSTRUT



Technical specifications and advantages

- Slide nut with threaded pin, square washer and plastic spring
- Made with S235JR steel
- Galvanised
- Spring in POM (polyoxymethylene), green
- With a plastic spring that keeps the piece fixed in the desired position until final tightening
- Possibility of height adjustment of the pin
- Tested for fire resistance



Code	G	L [mm]	s [mm]	SW1 [mm]	LU [mm]	Fa,z [N]
652785804	M8	40	6,0	13	16	6000
652785806	M8	60	6,0	13	36	6000
652785808	M8	80	8,0	13	56	6000
652785810	M8	100	8,0	13	76	6000
652785004	M10	40	8,0	17	12	6000
652785006	M10	60	8,0	17	32	6000
652785008	M10	80	8,0	17	52	6000
652785204	M12	40	10,0	19	10	10000
652785206	M12	60	10,0	19	30	10000
6527208	M12	80	10,0	19	50	10000

