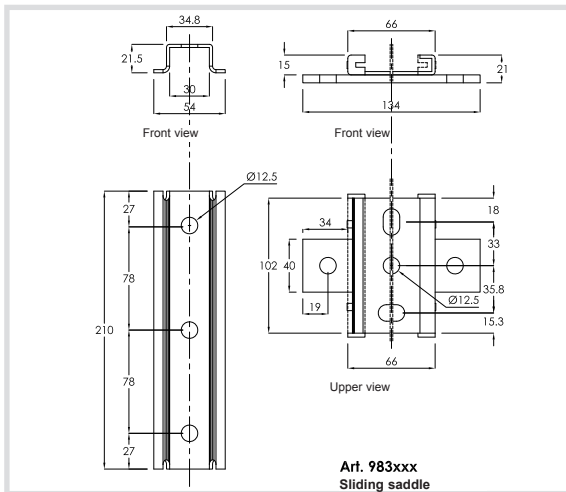
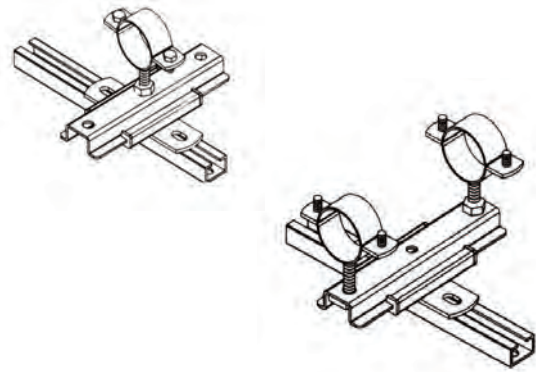


Art. 983 Sliding saddle with fixing rail attachment bracket



*Technical specifications and advantages*

- Made with galvanised steel
- Sliding guide in glass fibre reinforced polyamide
- Sliding length: max 140mm
- Temperature resistance: from -30°C to +120°C
- Soundproofing



Code	Max. Load	Max. Load	Ø Holes	Payload [N]
<b>983000</b>	With fixing to ceiling or flooring :	With wall fixing :	12,5	1670
	1300N	1000N		

