

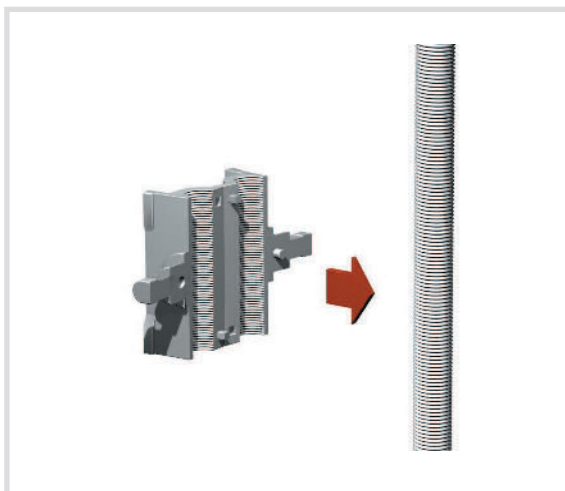
Art. 530 StarQuick® Adapter for threaded rods

WATCH THE VIDEO



Technical specifications and advantages

- To connect StarQuick® to a threaded rod
- To add pipes to an existing installation
- Suitable for StarQuick® from SQ10 up to SQ51
- PA6 Material, grey (RAL 7035)
- Resistant to UV rays, ageing, oils, petroleum derivatives
- Not subject to corrosion, recyclable, halogen-free
- Resistant to temperatures: from -40°C up to 90°C; for a limited period of time, suitable up to 130°C



Code	Dimensions [mm]	Material
530 0006	M6	PA 6
530 0008	M8	PA 6

