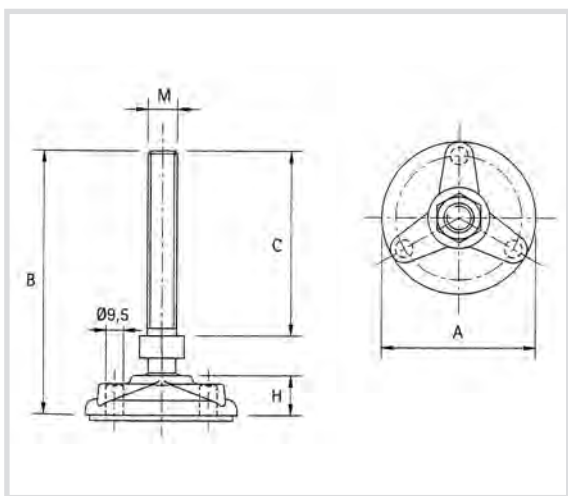


Art. 844 Swivel foot for structures



Caratteristiche tecniche e vantaggi

- Material: glass filled nylon
- Jointed rod



Code	A [mm]	H [mm]	B [mm]	M x C [mm]	Payload [N]
844008	80	24	101	M8x65	1200
844010	80	24	96	M10x60	1200

