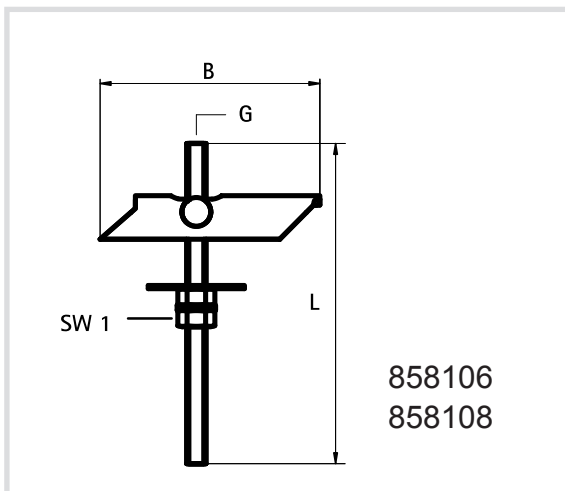


Art. 858 Toggle plugs



Technical specifications and advantages

- U fixing rail with rotatable column
- For fixing in hollow walls and slabs
- Can be used: for the fixing of pipes for ceiling sprinkler system (max DN 50 - 2") according to the VdS rules
- Materials: steel metal parts, protective rubber gasket (art. 858128/858210)
- Galvanised
- VdS approved



Code	G	L [mm]	B [mm]	HØ [mm]	SW1 [mm]
858106	M6	100	68,5	17	10
858108	M8	100	74,0	20	13
858128	M8	200	85,0	22	13
858210	M10	100	85,0	25	17

