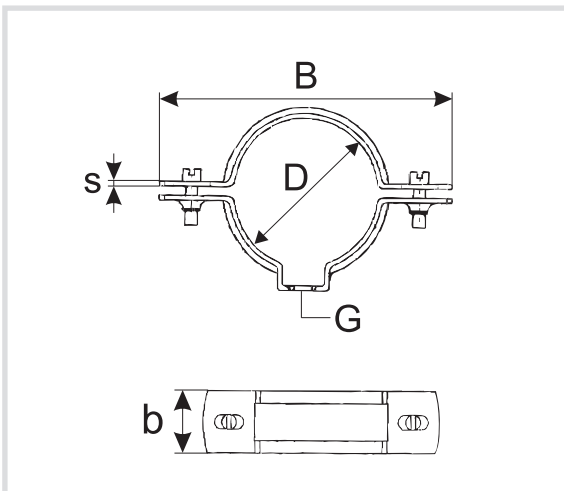


Art. 6167 Two-piece pipe clamp with hole - AISI 304



Technical specifications and advantages

- Made of AISI 304 stainless steel
- Rounded edges, no sharp edges
- Closing screws: M6
- Pre-assembled
- With hole for bolt fixing
- On request available in AISI 316



Code	Measure. Ø ["]	s [mm]	b [mm]	G [mm]	B [mm]
6167021	1/2"	2,5	25	Ø 8,5	66,5
6167027	3/4"	2,5	25	Ø 8,5	72
6167034	1"	2,5	25	Ø 8,5	78,7
6167042	1" 1/4	2,5	25	Ø 8,5	87,5
6167048	1" 1/2	2,5	25	Ø 8,5	93,5
6167060	2"	2,5	25	Ø 8,5	105,5
6167076	2" 1/2	2,5	25	Ø 8,5	98
6167090	3"	2,5	25	Ø 8,5	134
6167110	4"	2,5	25	Ø 8,5	159,5

